

ICONIC 66 TRACK



- Xicato XIM Gen4 technology
- Bluetooth enabled
- Standard CRI 83+ or Artist high CRI 95+ version
- 3000K, 4000K or 2700K upon request
- Machined aluminium body
- High quality, mirror finish low glare reflector
- Excellent colour consistency from luminaire to luminaire
- 5 year colour consistency warranty - no colour shift
- Made in Australia
- L70B0FO at 50,000 hours

XIM GEN4 BLE 48V – 83+ CRI

LOW OUTPUT

DALI Dimmable	Bluetooth Dimmable	Beam Angle	Colour Temp.	Absolute Lumens	System Watts
ICT66.XBL48.N.83.66	ICT66.XBL48.N.83.67	15	3000K	690	10
ICT66.XBL48.N.84.66	ICT66.XBL48.N.84.67	15	4000K	690	10
ICT66.XBL48.M.83.66	ICT66.XBL48.M.83.67	36	3000K	685	10
ICT66.XBL48.M.84.66	ICT66.XBL48.M.84.67	36	4000K	685	10
ICT66.XBL48.W.83.66	ICT66.XBL48.W.83.67	55	3000K	670	10
ICT66.XBL48.W.84.66	ICT66.XBL48.W.84.67	55	4000K	670	10

HIGH OUTPUT

DALI Dimmable	Bluetooth Dimmable	Beam Angle	Colour Temp.	Absolute Lumens	System Watts
ICT66.XB48.N.83.66	ICT66.XB48.N.83.67	15	3000K	1150	16
ICT66.XB48.N.84.66	ICT66.XB48.N.84.67	15	4000K	1150	16
ICT66.XB48.M.83.66	ICT66.XB48.M.83.67	36	3000K	1142	16
ICT66.XB48.M.84.66	ICT66.XB48.M.84.67	36	4000K	1142	16
ICT66.XB48.W.83.66	ICT66.XB48.W.83.67	55	3000K	1121	16
ICT66.XB48.W.84.66	ICT66.XB48.W.84.67	55	4000K	1121	16

XIM GEN4 BLE 48V – 95+ CRI

LOW OUTPUT

DALI Dimmable	Bluetooth Dimmable	Beam Angle	Colour Temp.	Absolute Lumens	System Watts
ICT66.XBL48.N.93.66	ICT66.XBL48.N.93.67	15	3000K	678	12.5
ICT66.XBL48.N.94.66	ICT66.XBL48.N.94.67	15	4000K	678	12.5
ICT66.XBL48.M.93.66	ICT66.XBL48.M.93.67	36	3000K	673	12.5
ICT66.XBL48.M.94.66	ICT66.XBL48.M.94.67	36	4000K	673	12.5
ICT66.XBL48.W.93.66	ICT66.XBL48.W.93.67	55	3000K	660	12.5
ICT66.XBL48.W.94.66	ICT66.XBL48.W.94.67	55	4000K	660	12.5

HIGH OUTPUT

DALI Dimmable	Bluetooth Dimmable	Beam Angle	Colour Temp.	Absolute Lumens	System Watts
ICT66.XB48.N.93.66	ICT66.XB48.N.93.67	15	3000K	1130	21.5
ICT66.XB48.N.94.66	ICT66.XB48.N.94.67	15	4000K	1130	21.5
ICT66.XB48.M.93.66	ICT66.XB48.M.93.67	36	3000K	1122	21.5
ICT66.XB48.M.94.66	ICT66.XB48.M.94.67	36	4000K	1122	21.5
ICT66.XB48.W.93.66	ICT66.XB48.W.93.67	55	3000K	1100	21.5
ICT66.XB48.W.94.66	ICT66.XB48.W.94.67	55	4000K	1100	21.5

ACCESSORIES



Track box for 3 circuit track

Suitable for retrofit applications.
48v power supply located inside track box.

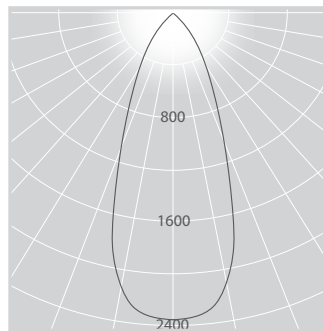
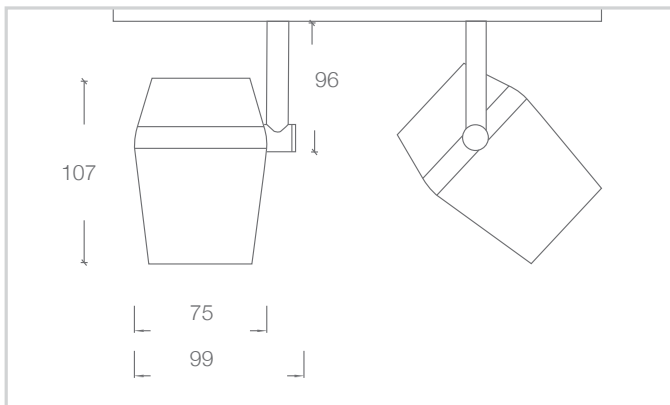
To order track light with box and 3 circuit adaptor
use additional part code TL66.TB

Surface mount ceiling rose

To ceiling mount luminaires
independently of track

To order ceiling rose add .CR to end of part code

COLOUR FINISH



ICT66.XB48.M.83.66

